



HOSHIZAKI ICE MAKER

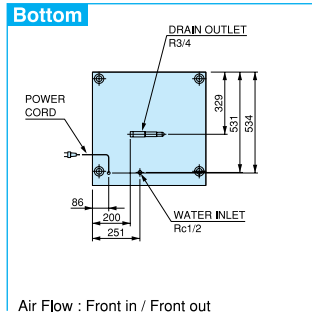
FM series / CM series

FM series

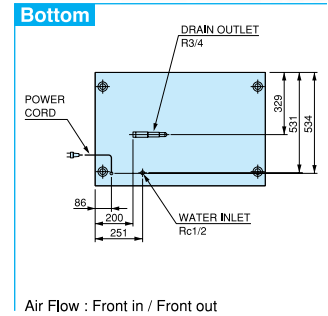


Flaked Ice

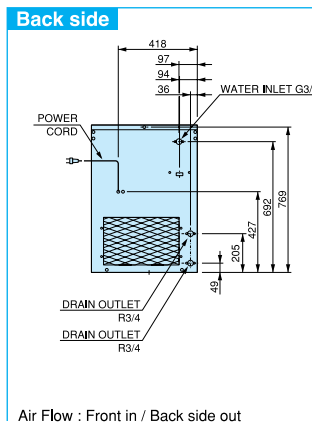
FM-120D



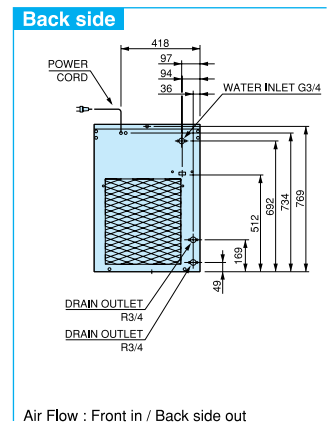
FM-120F-50



FM-251AF w/B-300bin



FM-481AG w/B-300bin

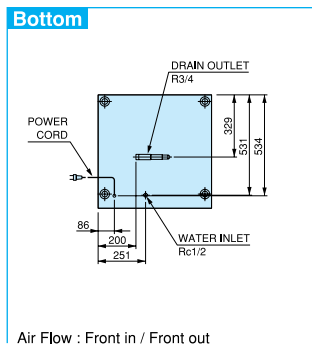


CM series



Cubelet Ice

CM-90D



FM Flaked Ice



FM-251AFE
W/B-300bin

CM Cubelet Ice



CM-90D

		FM-120D	FM-120F-50	FM-251AFE	FM-481AG	CM-90D
Ice Production (kg/day)	Type of ice	Flaked ice	Flaked ice	Flaked ice	Flaked ice	Cubelet
	A.T.21C/ W.T.15C	122	115	200	430	111
	A.T.32C/ W.T.21C	97	95 ※	164	330	86
Bin Capacity (kg)		26	46	N/A	N/A	28
Cooling System		Air	Air	Air	Air	Air
Refrigerant		R134a	R134a	R404A	R404A	R134a
Electrical Supply		1/220-230 60Hz	1/100 50/60Hz	1/220-240 60Hz	1/220-240 50Hz	1/220-230 60Hz
Electrical Consumption (W/h)		460	493	830	1425	480
Water Consumption (M3/day)	A.T.32C/ W.T.21C	0.10	0.10 ※	0.169	0.330	0.086
Water Supply Inlet						
Drain Outlet		R 3/4"	Rp 3/4 x 2	R 3/4" x 2	R 3/4" x 2	R 3/4"
Refrigeration circuit - Discharge line		—	—	—	—	—
Refrigeration circuit - Liquid line		—	—	—	—	—
Dimensions (mm)		W600 x D600 x H800	W900 x D600 x H800	W560 x D700 x H780	W560 x D699 x H780	W600 x D600 x H800
Weight (kg) Net/Gross		66/76	84/94	86/98	99/120	66/76

※ A.T.30C / W.T.25C

HOSHIZAKI